



P.L. : 1001-E01

Effective
Replaces

May 2016
November 2014

PARTS LIST

PUMPS

C4 A - C8 A - C4 A HT - C8 A HT

Keep this parts lists with Installation, Operation and Maintenance Instructions.

To order the required spare parts, indicate the desired Reference(s).

Sets of parts or parts available to order.

CVT : FEP encapsulated FKM

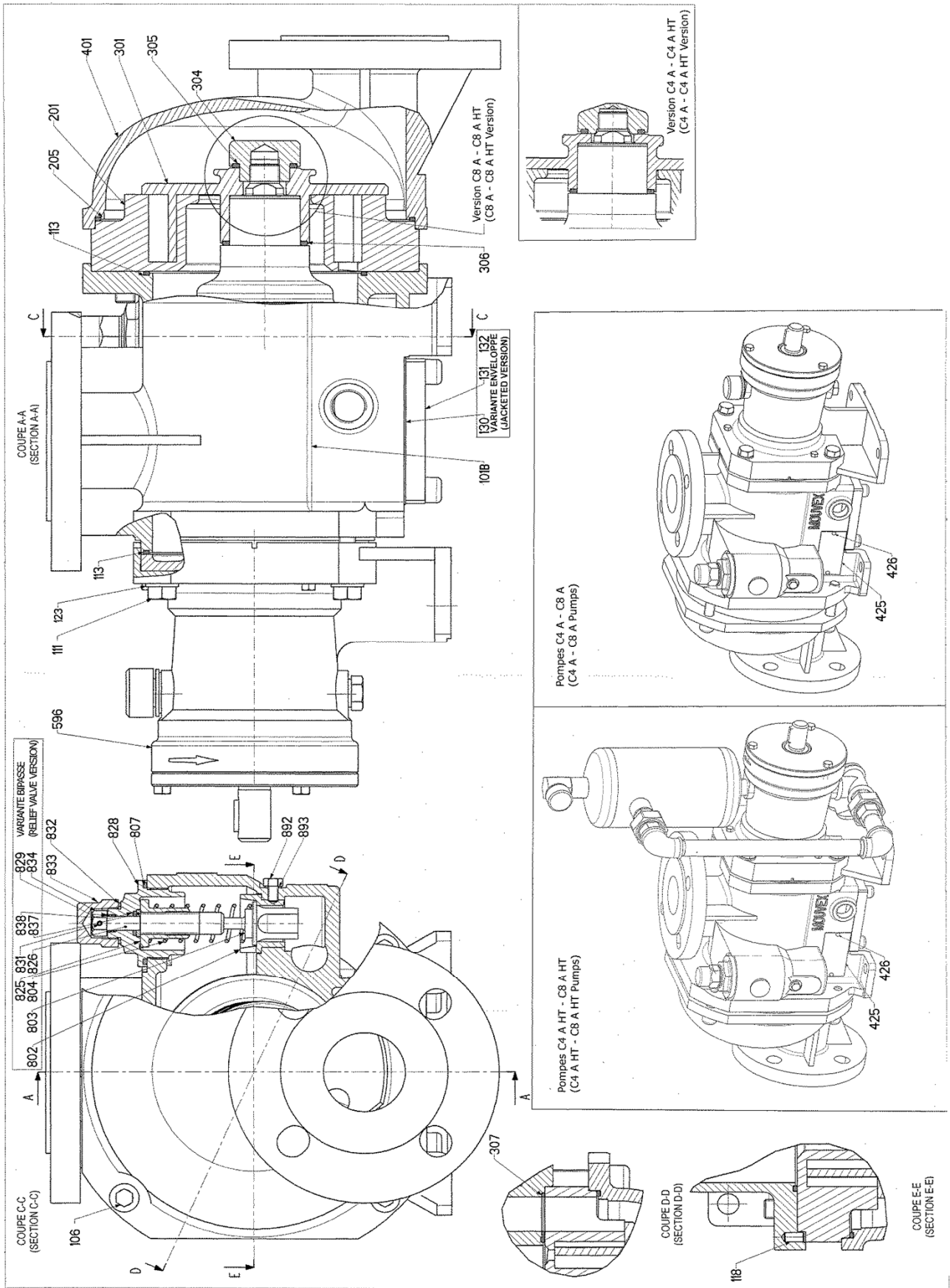


Дистрибутор:

България, София 1528, ул."Поручик Неделчо Бончев" 3, ет.5

+359 2 973 27 67, +359 2 973 2370; office_bg@opwmarket.com

C4 A - C8 A - C4 A HT - C8 A HT



C4 A

* 1, 2, 4... : Quantity in equipment - (1), (2), (4)... : Quantity in kit

Item	Available	Description	Qty*	Ref.	Maintenance kit	Wear part
8	◆	PLUGS + BREATHER	1	311441.00		
715		BREATHER	(1)			●
773		PLUG	(1)			
774		SEAL	(1)			●
9	◆	BEARING GASKETS _ SCREWS	1	315271.00		
507		RING	(1)			●
602		O-RING	(1)			●
608		LIP SEAL	(2)			●
609		SCREW	(3)			
100	◆	INLET MANIFOLD PN16 PN20	1	311356.01		
100	◆	JACKETED INLET MANIFOLD PN16 PN20	1	311360.01		
101B		MAIN BODY	(1)			
118		PIN	(1)			
131		PLATE (WITH HEAT JACKET MAIN BODY)	(1)			
802		VALVE SEAT	(1)			
892		SCREW	(1)			
893		SEAL	(1)			
119	◆	SET OF SCREWS	1	311508.00		
106		SCREW	(4)			
111		SCREW	(4)			
123		WASHER	(4)			
119	◆	JACKETED SET OF SCREWS	1	311509.00		
106		SCREW	(4)			
111		SCREW	(4)			
123		WASHER	(4)			
132		SCREW	(4)			
200	◆	SET CYLINDER_PISTON	1	313393.00	■	
201		CYLINDER	(1)			●
301		PISTON	(1)			●
304	◆	PISTON NUT	1	216257		●
206	◆	SET OF CVT 'O' RING SEALS	1	311897.04	■	
206	◆	SET OF CVT 'O' RING SEALS -JACKETED VERSION-	1	311898.04	■	
206	◆	SET OF FKM 'O' RING SEALS	1	311358.04	■	
206	◆	JACKETED SET OF FKM 'O' RING SEALS	1	311361.04	■	
113		O-RING	(2)			●
130		SEAL (HEAT JACKET VERSION)	(1)			●
205		SEAL	(1)			●
305		SEAL	(1)			●
306		SEAL	(1)			●
307		SEAL	(1)			●
401	◆	FRONT COVER	1	216354		
596	◆	COMPLETE TRANSMISSION - STANDARD SPRING	1	312306.03	■	●
596	◆	COMPLETE TRANSMISSION - STRONG SPRING	1	313961.00	■	●

C4 A

* 1, 2, 4... : Quantity in equipment - (1), (2), (4)... : Quantity in kit

Item	Available	Description	Qty*	Ref.	Maintenance kit	Wear part
820	◆	BYPASS - CVT -C8	1	313138.03	824	
820	◆	BYPASS - FKM -C8	1	313134.03	824	
820	◆	BYPASS - CVT -C3,5	1	313136.03	804	
820	◆	BYPASS - FKM -C2,5	1	313131.03	804	
820	◆	BYPASS - FKM -C3,5	1	313132.03	804	
820	◆	BYPASS - CVT -C2,5	1	313135.03		
803		COMPENSATED VALVE	(1)			
804/824		SPRING	(1)			
825		SPRING GUIDE	(1)			
826		ADJUSTING SCREW	(1)			
828		NUT	(1)			
829		SPRING	(1)			
831		PIN	(1)			
833		BYPASS CAP	(1)			
834		NUT	(1)			
838		WASHER	(1)			
896	◆	SET OF BYPASS SEALS CVT	1	313173.04	■	
896	◆	SET OF BYPASS SEALS FKM	1	313172.04	■	
807		SEAL	(1)			●
832		SEAL	(1)			●
837		SEAL	(1)			●

C8 A

* 1, 2, 4... : Quantity in equipment - (1), (2), (4)... : Quantity in kit

Item	Available	Description	Qty*	Ref.	Maintenance kit	Wear part
8	◆	PLUGS + BREATHER	1	311441.00		
715		BREATHER	(1)			●
773		PLUG	(1)			
774		SEAL	(1)			●
9	◆	BEARING GASKETS _ SCREWS	1	315271.00		
507		RING	(1)			●
602		O-RING	(1)			●
608		LIP SEAL	(2)			●
609		SCREW	(3)			
100	◆	INLET MANIFOLD PN16 PN20	1	311356.01		
100	◆	JACKETED INLET MANIFOLD PN16 PN20	1	311360.01		
101B		MAIN BODY	(1)			
118		PIN	(1)			
131		PLATE (WITH HEAT JACKET MAIN BODY)	(1)			
802		VALVE SEAT	(1)			
892		SCREW	(1)			
893		SEAL	(1)			
119	◆	SET OF SCREWS	1	311995.00		
106		SCREW	(4)			
111		SCREW	(4)			
123		WASHER	(4)			
119	◆	JACKETED SET OF SCREWS	1	311915.00		
106		SCREW	(4)			
111		SCREW	(4)			
123		WASHER	(4)			
132		SCREW	(4)			
200	◆	SET CYLINDER_PISTON	1	313395.00	■	
201		CYLINDER	(1)			●
301		PISTON	(1)			●
304	◆	PISTON NUT	1	218572		●
206	◆	SET OF CVT 'O' RING SEALS	1	311897.04	■	
206	◆	SET OF CVT 'O' RING SEALS -JACKETED VERSION-	1	311898.04	■	
206	◆	SET OF FKM 'O' RING SEALS	1	311358.04	■	
206	◆	JACKETED SET OF FKM 'O' RING SEALS	1	311361.04	■	
113		O-RING	(2)			●
130		SEAL (HEAT JACKET VERSION)	(1)			●
205		SEAL	(1)			●
305		SEAL	(1)			●
306		SEAL	(1)			●
307		SEAL	(1)			●
401	◆	FRONT COVER	1	216354		
596	◆	COMPLETE TRANSMISSION - STANDARD SPRING	1	312306.03	■	●
596	◆	COMPLETE TRANSMISSION - STRONG SPRING	1	313961.00	■	●

C8 A

* 1, 2, 4... : Quantity in equipment - (1), (2), (4)... : Quantity in kit

Item	Available	Description	Qty*	Ref.	Maintenance kit	Wear part
820	◆	BYPASS - CVT -C3,5	1	313136.03		
820	◆	BYPASS - FKM -C2,5	1	313131.03		
820	◆	BYPASS - FKM -C3,5	1	313132.03		
820	◆	BYPASS - CVT -C2,5	1	313135.03		
820	◆	BYPASS - CVT -C5	1	313137.03		
820	◆	BYPASS - FKM -C5	1	313133.03		
803		COMPENSATED VALVE	(1)			
804		SPRING	(1)			
825		SPRING GUIDE	(1)			
826		ADJUSTING SCREW	(1)			
828		NUT	(1)			
829		SPRING	(1)			
831		PIN	(1)			
833		BYPASS CAP	(1)			
834		NUT	(1)			
838		WASHER	(1)			
896	◆	SET OF BYPASS SEALS CVT	1	313173.04	■	
896	◆	SET OF BYPASS SEALS FKM	1	313172.04	■	
807		SEAL	(1)			●
832		SEAL	(1)			●
837		SEAL	(1)			●

C4 A HT

* 1, 2, 4... : Quantity in equipment - (1), (2), (4)... : Quantity in kit

Item	Available	Description	Qty*	Ref.	Maintenance kit	Wear part
7	◆	CONNECTION	1	312298.00		
706		NIPPLE	(1)			
707		TEE	(1)			
708		CONNECTOR	(1)			
709		NIPPLE	(1)			
711		NIPPLE	(1)			
712		CONNECTOR	(1)			
713		NIPPLE	(1)			
716		NIPPLE	(1)			
717		ELBOW	(2)			
8	◆	PLUGS + BREATHER	1	314455.00		
715		BREATHER	(1)			●
771		SEAL	(1)			●
772		PLUG	(1)			
773		PLUG	(1)			
9	◆	BEARING GASKETS _ SCREWS	1	315271.00		
507		RING	(1)			●
602		O-RING	(1)			●
608		LIP SEAL	(2)			●
609		SCREW	(3)			
100	◆	INLET MANIFOLD PN16 PN20	1	311356.01		
100	◆	JACKETED INLET MANIFOLD PN16 PN20	1	311360.01		
101B		MAIN BODY	(1)			
118		PIN	(1)			
131		PLATE (WITH HEAT JACKET MAIN BODY)	(1)			
802		VALVE SEAT	(1)			
892		SCREW	(1)			
893		SEAL	(1)			
119	◆	SET OF SCREWS	1	311508.00		
106		SCREW	(4)			
111		SCREW	(4)			
123		WASHER	(4)			
119	◆	JACKETED SET OF SCREWS	1	311509.00		
106		SCREW	(4)			
111		SCREW	(4)			
123		WASHER	(4)			
132		SCREW	(4)			
200	◆	SET CYLINDER_PISTON	1	313393.00	■	
201		CYLINDER	(1)			●
301		PISTON	(1)			●
304	◆	PISTON NUT	1	216257		●
206	◆	SET OF CVT 'O' RING SEALS	1	311897.04	■	
206	◆	SET OF CVT 'O' RING SEALS -JACKETED VERSION-	1	311898.04	■	
206	◆	SET OF FKM 'O' RING SEALS	1	311358.04	■	
206	◆	JACKETED SET OF FKM 'O' RING SEALS	1	311361.04	■	
113		O-RING	(2)			●
130		SEAL (HEAT JACKET VERSION)	(1)			●
205		SEAL	(1)			●
305		SEAL	(1)			●
306		SEAL	(1)			●
307		SEAL	(1)			●
401	◆	FRONT COVER	1	216354		

C4 A HT

* 1, 2, 4... : Quantity in equipment - (1), (2), (4)... : Quantity in kit

Item	Available	Description	Qty*	Ref.	Maintenance kit	Wear part
596	◆	COMPLETE TRANSMISSION : WITH CONTAINER - STANDARD SPRING - JACKETED VERSION	1	312297.03	■	●
596	◆	WITH CONTAINER - STRONG SPRING - JACKETED VERSION	1	314581.00	■	●
596A	◆	WITHOUT CONTAINER - STANDARD SPRING - JACKETED VERSION	1	314024.00	■	●
596A	◆	WITHOUT CONTAINER - STRONG SPRING - JACKETED VERSION	1	314583.00	■	●
710	◆	BEARING OIL RESERVOIR	1	312296.00		
820	◆	BYPASS - CVT -C8	1	313138.03		
820	◆	BYPASS - FKM -C8	1	313134.03		
820	◆	BYPASS - CVT -C3,5	1	313136.03		
820	◆	BYPASS - FKM -C2,5	1	313131.03		
820	◆	BYPASS - FKM -C3,5	1	313132.03		
820	◆	BYPASS - CVT -C2,5	1	313135.03		
803		COMPENSATED VALVE	(1)			
804/824		SPRING	(1)			
825		SPRING GUIDE	(1)			
826		ADJUSTING SCREW	(1)			
828		NUT	(1)			
829		SPRING	(1)			
831		PIN	(1)			
833		BYPASS CAP	(1)			
834		NUT	(1)			
838		WASHER	(1)			
896	◆	SET OF BYPASS SEALS CVT	1	313173.04	■	
896	◆	SET OF BYPASS SEALS FKM	1	313172.04	■	
807		SEAL	(1)			●
832		SEAL	(1)			●
837		SEAL	(1)			●

C8 A HT

* 1, 2, 4... : Quantity in equipment - (1), (2), (4)... : Quantity in kit

Item	Available	Description	Qty*	Ref.	Maintenance kit	Wear part
7	◆	CONNECTION	1	312298.00		
706		NIPPLE	(1)			
707		TEE	(1)			
708		CONNECTOR	(1)			
709		NIPPLE	(1)			
711		NIPPLE	(1)			
712		CONNECTOR	(1)			
713		NIPPLE	(1)			
716		NIPPLE	(1)			
717		ELBOW	(2)			
8	◆	PLUGS + BREATHER	1	314455.00		
715		BREATHER	(1)			●
771		SEAL	(1)			●
772		PLUG	(1)			
773		PLUG	(1)			
9	◆	BEARING GASKETS _ SCREWS	1	315271.00		
507		RING	(1)			●
602		O-RING	(1)			●
608		LIP SEAL	(2)			●
609		SCREW	(3)			
100	◆	INLET MANIFOLD PN16 PN20	1	311356.01		
100	◆	JACKETED INLET MANIFOLD PN16 PN20	1	311360.01		
101B		MAIN BODY	(1)			
118		PIN	(1)			
131		PLATE (WITH HEAT JACKET MAIN BODY)	(1)			
802		VALVE SEAT	(1)			
892		SCREW	(1)			
893		SEAL	(1)			
119	◆	SET OF SCREWS	1	311995.00		
106		SCREW	(4)			
111		SCREW	(4)			
123		WASHER	(4)			
119	◆	JACKETED SET OF SCREWS	1	311915.00		
106		SCREW	(4)			
111		SCREW	(4)			
123		WASHER	(4)			
132		SCREW	(4)			
200	◆	SET CYLINDER_PISTON	1	313395.00	■	
201		CYLINDER	(1)			●
301		PISTON	(1)			●
304	◆	PISTON NUT	1	218572		●
206	◆	SET OF CVT 'O' RING SEALS	1	311897.04	■	
206	◆	SET OF CVT 'O' RING SEALS -JACKETED VERSION-	1	311898.04	■	
206	◆	SET OF FKM 'O' RING SEALS	1	311358.04	■	
206	◆	JACKETED SET OF FKM 'O' RING SEALS	1	311361.04	■	
113		O-RING	(2)			●
130		SEAL (HEAT JACKET VERSION)	(1)			●
205		SEAL	(1)			●
305		SEAL	(1)			●
306		SEAL	(1)			●
307		SEAL	(1)			●
401	◆	FRONT COVER	1	216354		

C8 A HT

* 1, 2, 4... : Quantity in equipment - (1), (2), (4)... : Quantity in kit

Item	Available	Description	Qty*	Ref.	Maintenance kit	Wear part
596	◆	COMPLETE TRANSMISSION :				
		WITH CONTAINER - STANDARD SPRING - JACKETED VERSION	1	312297.03	■	●
596	◆	WITH CONTAINER - STRONG SPRING - JACKETED VERSION	1	314581.00	■	●
596A	◆	WITHOUT CONTAINER - STANDARD SPRING - JACKETED VERSION	1	314024.00	■	●
596A	◆	WITHOUT CONTAINER - STRONG SPRING - JACKETED VERSION	1	314583.00	■	●
710	◆	BEARING OIL RESERVOIR	1	312296.00		
820	◆	BYPASS - CVT -C3,5	1	313136.03		
820	◆	BYPASS - FKM -C2,5	1	313131.03		
820	◆	BYPASS - FKM -C3,5	1	313132.03		
820	◆	BYPASS - CVT -C2,5	1	313135.03		
820	◆	BYPASS - CVT -C5	1	313137.03		
820	◆	BYPASS - FKM -C5	1	313133.03		
803		COMPENSATED VALVE	(1)			
804		SPRING	(1)			
825		SPRING GUIDE	(1)			
826		ADJUSTING SCREW	(1)			
828		NUT	(1)			
829		SPRING	(1)			
831		PIN	(1)			
833		BYPASS CAP	(1)			
834		NUT	(1)			
838		WASHER	(1)			
896	◆	SET OF BYPASS SEALS CVT	1	313173.04	■	
896	◆	SET OF BYPASS SEALS FKM	1	313172.04	■	
807		SEAL	(1)			●
832		SEAL	(1)			●
837		SEAL	(1)			●