



P.L. : 1002-A01

Effective
Replaces

April 2017
July 2016

PARTS LIST

PUMP

S2C

Keep this parts lists with Installation, Operation and Maintenance Instructions.

To order the required spare parts, indicate the desired Reference(s).

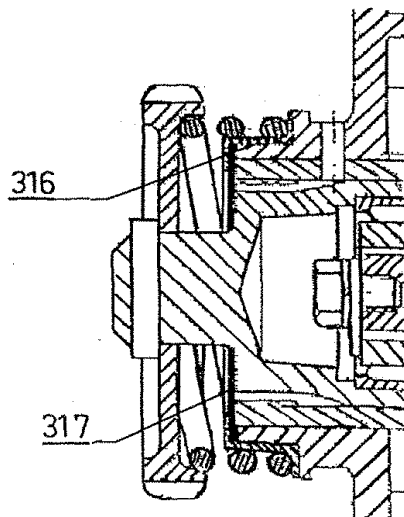
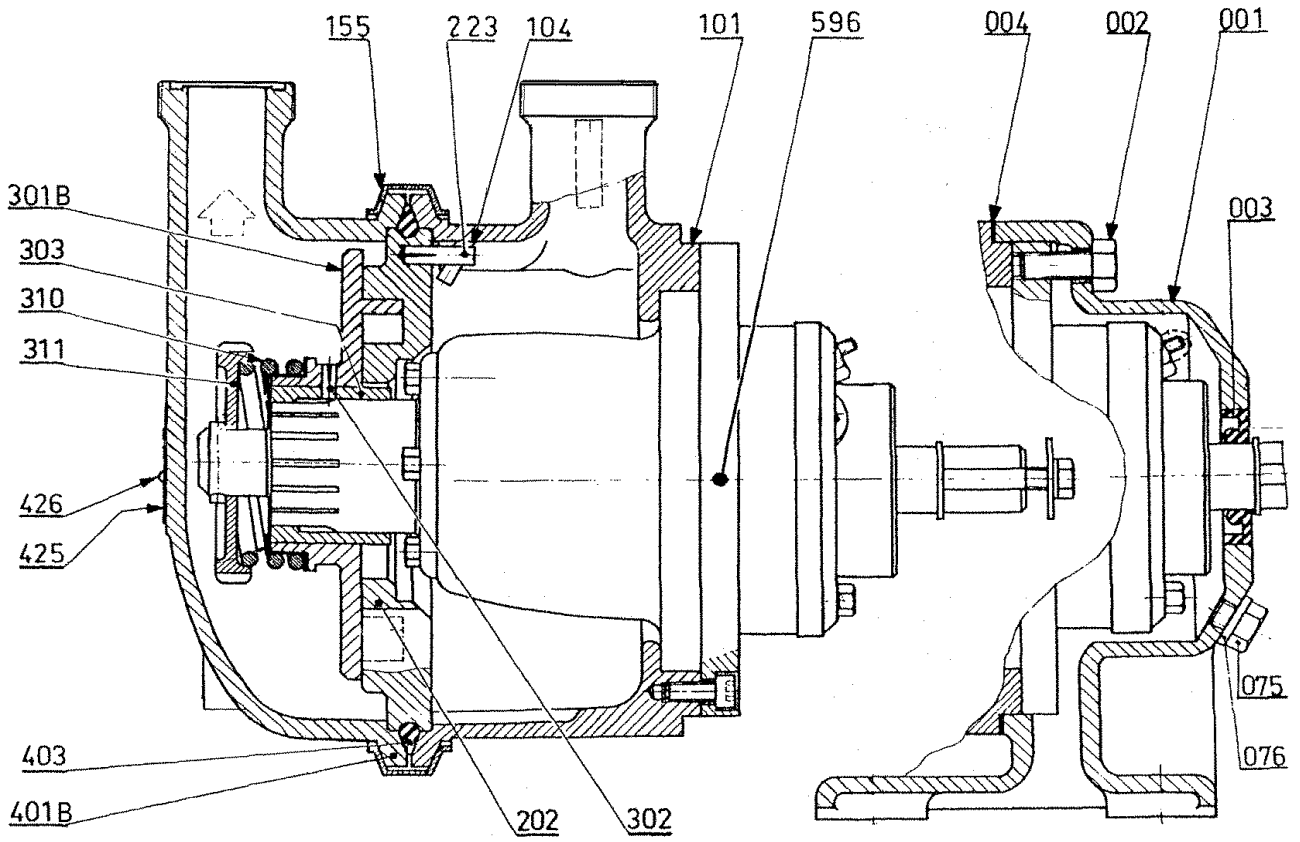
- ◆ Sets of parts or parts available to order.

Z.I. la Plaine des Isles - 2 rue des Caillottes F-89000 AUXERRE - France

Tel : +33 (0)3 86 49 86 30 • Fax : +33 (0)3 86 49 87 17

contact@mouvex.com • www.mouvex.com

S2C



S2C

* 1, 2, 4... : Quantity in equipment - (1), (2), (4)... : Quantity in kit

Item	Available	Description	Qty*	Ref.	Maintenance kit	Wear part
5	◆	SUPPORT FOOT PUMP COMPLETE	1	301525.00		
1		SUPPORT FOOT	(1)			
2		SCREW	(4)			
3		LIP SEAL	(1)			●
4		SEAL	(1)			●
75		SCREW	(1)			
76		SEAL	(1)			●
100	◆	POLISH MAIN BODY - CLAMP ASME BPE	1	316597.00		
100	◆	POLISH MAIN BODY - DIN 40	1	304685.00		
100	◆	POLISH MAIN BODY - SMS 38	1	301483.00		
101		MAIN BODY	(1)			
104		PIN	(2)			
		GASKETS FOR CONNECTION :				
120	◆	SET OF 2 GASKETS CONNECTION FKM CLAMP ASME BPE	1	315663.01	■	
120	◆	SET OF 2 GASKETS CONNECTION FKM DIN 40	1	312005.01	■	
120	◆	SET OF 2 GASKETS CONNECTION FKM SMS 38	1	311928.01	■	
1012		SEAL	(2)			●
155	◆	CLAMPING COLLAR	1	230592		
200B	◆	SET CYLINDER_PISTON S2	1	313410.00	■	
201		CYLINDER	(1)			●
301		COMPLETE PISTON	(1)			●
310	◆	SPRING BACK PISTON	1	201216		
310	◆	STRONG SPRING BACK PISTON	1	216492		
311	◆	PUSHER	1	206684		
318	◆	PISTON NECK SEALS - FKM	1	315317.00	■	
316		CAGE	(1)			
317	◆	SEAL CE1935_2004	1	230074		●
401B	◆	POLISH FRONT COVER - CLAMP ASME BPE 38	1	315658.00		
401B	◆	POLISH FRONT COVER - DIN 40	1	315650.00		
401B	◆	POLISH FRONT COVER - SMS38	1	315649.00		
403	◆	O-RING FKM CE1935_2004	1	230075	■	●
596	◆	COMPLETE TRANSMISSION BLOCK FKM WITH DETECTION	1	513915.03		●
596	◆	COMPLETE TRANSMISSION BLOCK FKM WITHOUT DETECTION	1	502030.03		●