



P.L. : 1002-B01

Effective
Replaces

April 2017
July 2016

PARTS LIST
PUMP
S4C

Keep this parts lists with Installation, Operation and Maintenance Instructions.

To order the required spare parts, indicate the desired Reference(s).

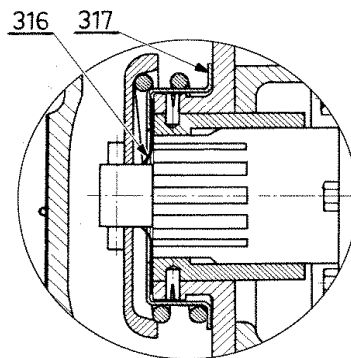
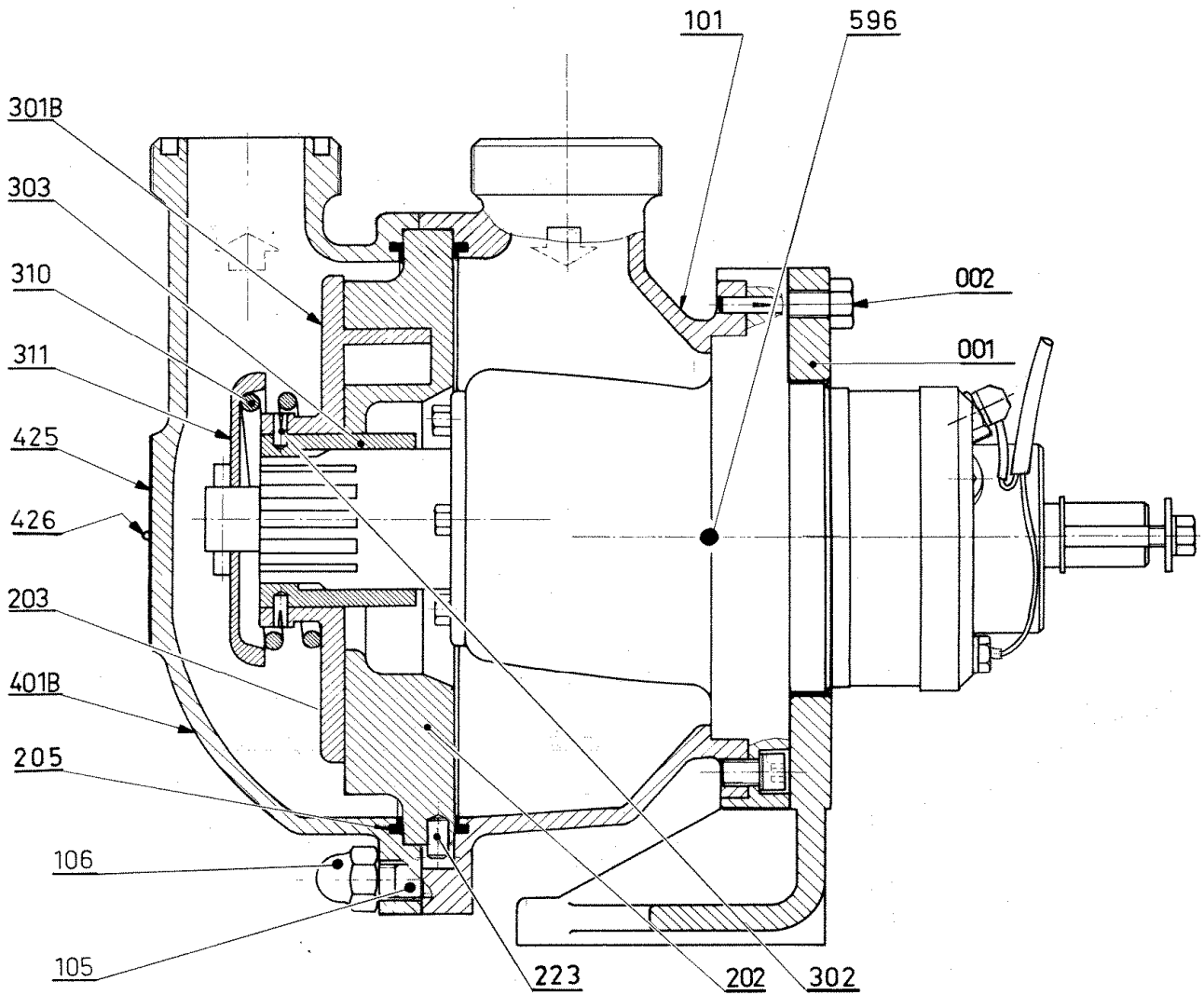
Sets of parts or parts available to order.



Дистрибутор:

България, София 1528, ул."Поручик Неделчо Бончев" 3, ет.5
+359 2 973 27 67, +359 2 973 2370; office_bg@opwmarket.com

S4C



S4C

* 1, 2, 4... : Quantity in equipment - (1), (2), (4)... : Quantity in kit

Item	Available	Description	Qty*	Ref.	Maintenance kit	Wear part
5		SUPPORT FOOT PUMP COMPLETE	1	301566.00		
1		SUPPORT FOOT	(1)			
2		SCREW	(4)			
100		POLISH MAIN BODY - DIN 50	1	308752.00		
100		POLISH MAIN BODY - SMS 51	1	308753.00		
100		POLISH MAIN BODY - CLAMP ASME BPE	1	316041.00		
101		MAIN BODY	(1)			
105		STUD	(4)			
106		BLIND NUT	(4)			
110		SET OF 4 SCREWS	1	304855.00		
106		BLIND NUT	(4)			
		GASKETS FOR CONNECTION :				
120		SET OF 2 GASKETS CONNECTION FKM CLAMP ASME BPE	1	315664.01		
120		SET OF 2 GASKETS CONNECTION FKM CE1935_2004 DIN 50	1	311653.01		
120		SET OF 2 GASKETS CONNECTION FKM SMS 51	1	311445.01		
1012		SEAL	(2)			
200B		SET CYLINDER_PISTON S4C	1	313409.00		
201		CYLINDER	(1)			
301		COMPLETE PISTON	(1)			
206		SET OF CYLINDER ORINGS -FKM CE1935_2004	1	304853.00		
205		SEAL FKM CE1935_2004	(2)			
310		STRONG SPRING BACK PISTON	1	216493		
310		SPRING BACK PISTON	1	235946		
311		PUSHER	1	203746		
318		PISTON NECK SEALS - FKM	1	302487.00		
316		CAGE	(1)			
317		SEAL CE1935_2004	1	230078		
401B		POLISH FRONT COVER - DIN 50	1	308756.00		
401B		POLISH FRONT COVER - CLAMP ASME BPE 51	1	315659.00		
401B		POLISH FRONT COVER - SMS 51	1	315651.00		
596		COMPLETE TRANSMISSION BLOCK FKM WITH DETECTION	1	513912.03		
596		COMPLETE TRANSMISSION BLOCK FKM WITHOUT DETECTION	1	502033.03		



Дистрибутор:
 България, София 1528, ул."Поручик Неделчо Бончев" 3, ет.5
 +359 2 973 27 67, +359 2 973 2370; office_bg@opwmarket.com