

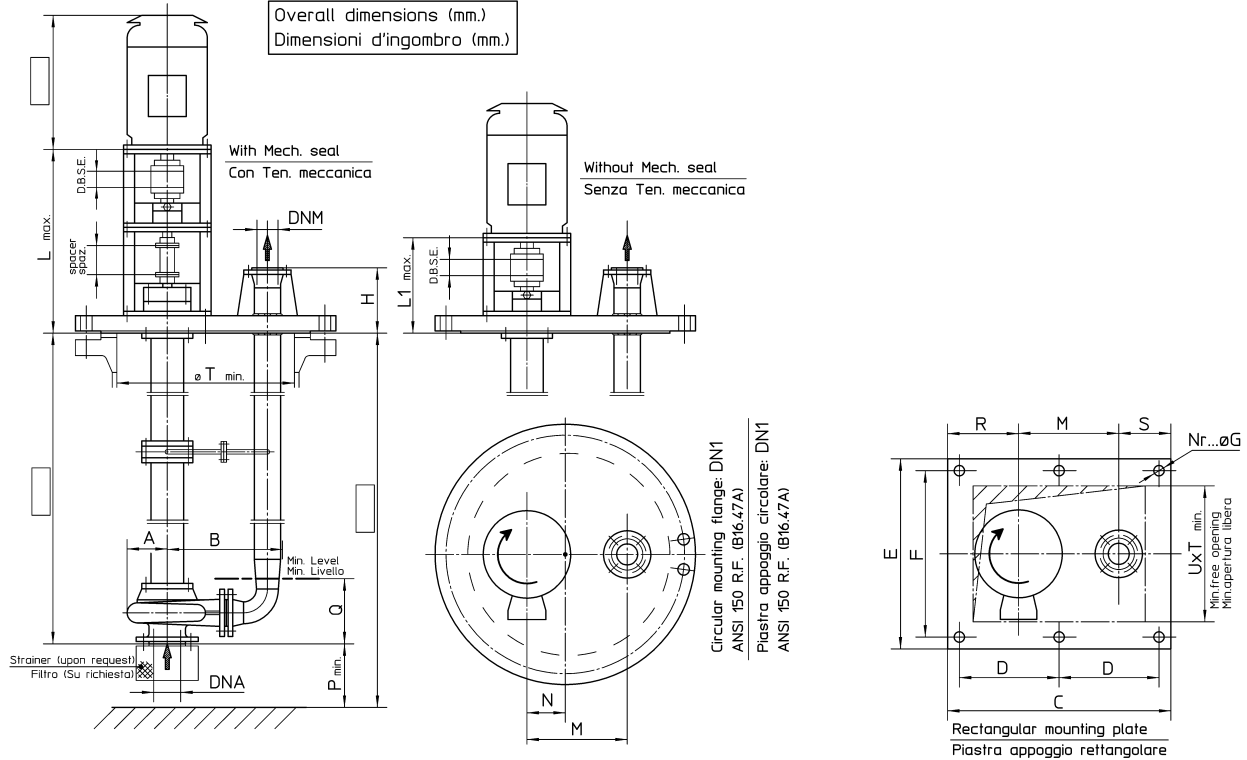
HPV

Pompe di processo a norme API 610- 11^a Edizione Process pumps according to API 610- 11th Ed. norms



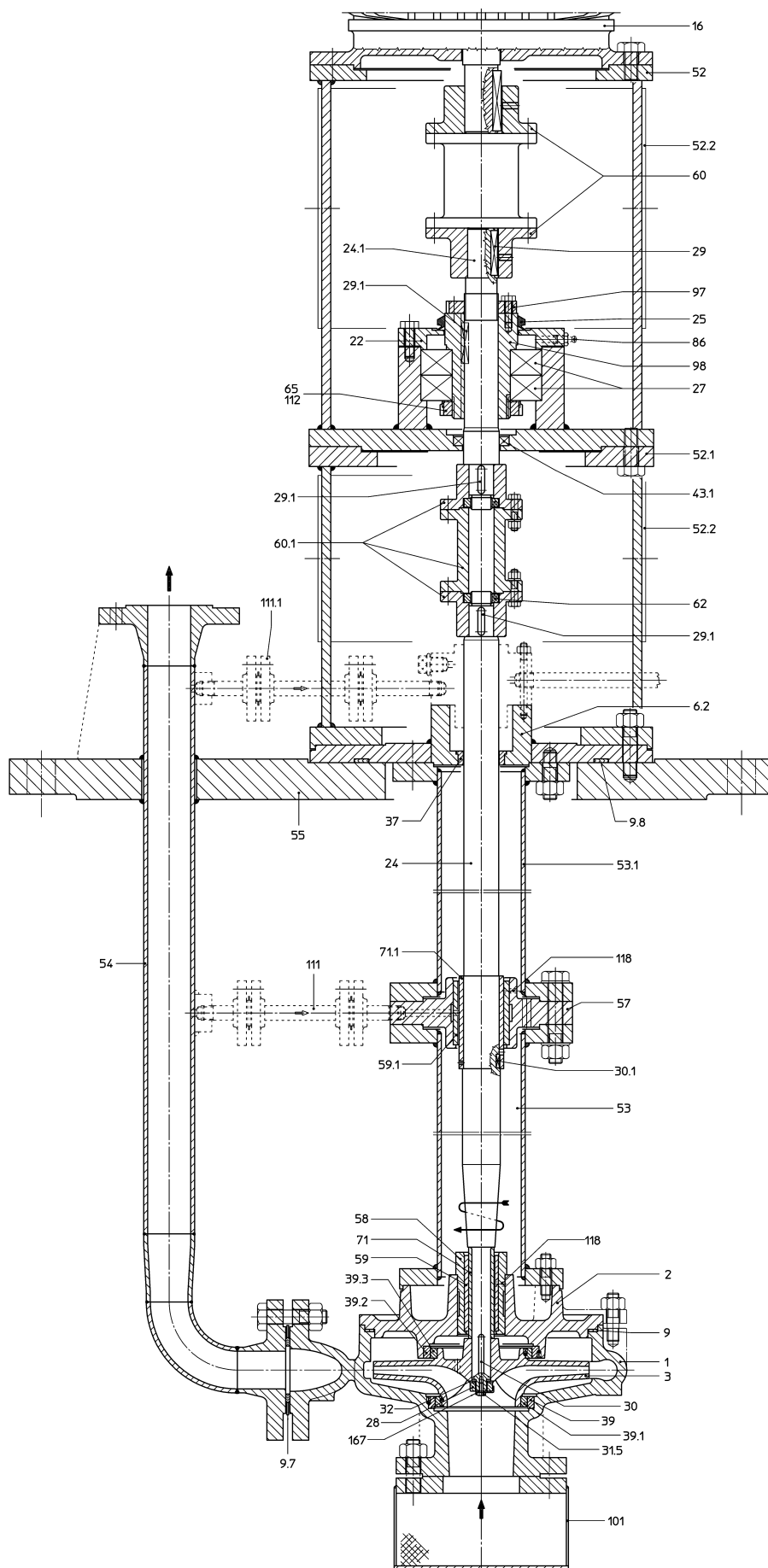
a DOVER company

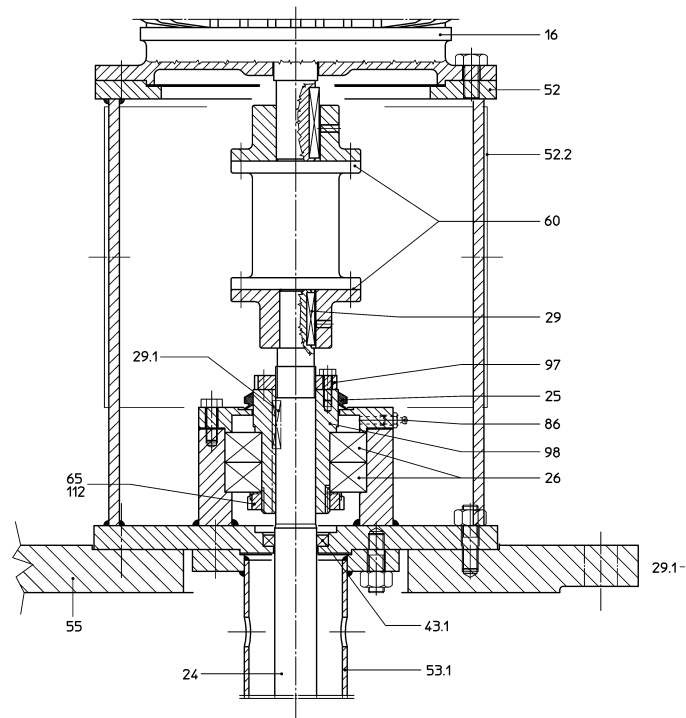
Dimensioni d'ingombro Overall dimensions



| PUMP TYPE TIPO POMPA HPV | Flanges-Flange | | DIMENSIONS - DIMENSIONI | | | | | | | | | | | | | | | | | | | |
|--------------------------------|----------------|----------|-------------------------|------|-----|------|------|------|------|----------------------|-----|------|-----|-----|-----|-----|-----|------|-----|------|-----|-----|
| | DNA | DNM | DN1 | A | B | C | D | E | F | Holes-Fori Nr. øG | H | L | L1 | M | N | P | Q | R | S | T | U | |
| | | | | | | | | | | | | | | | | | | | | | | |
| 25-125 | 1 1/2-40 | 1 1/4-32 | 16* | 100 | 265 | 550 | 500 | 450 | 400 | 4 | 18 | 220 | 840 | 360 | 240 | 85 | 100 | 150 | 190 | 120 | 387 | 330 |
| 25-160 | | | 18* | 115 | 285 | 550 | 500 | 450 | 400 | 4 | 18 | 865 | 380 | 260 | 85 | | | 190 | 100 | 438 | 330 | |
| 32-125 | 2*-50 | 2*-50 | 18* | 110 | 285 | 550 | 500 | 450 | 400 | 4 | 18 | 845 | 365 | 250 | 90 | 120 | 200 | 185 | 115 | 438 | 330 | |
| 32A-160 | | | 18* | 115 | 305 | 550 | 500 | 450 | 400 | 4 | 18 | 865 | 380 | 270 | 95 | | | 180 | 100 | 438 | 330 | |
| 32-160 | | | 18* | 115 | 305 | 550 | 500 | 450 | 400 | 4 | 18 | 865 | 380 | 270 | 95 | | | 180 | 100 | 438 | 330 | |
| 32A-200 | | | 20* | 135 | 325 | 600 | 550 | 480 | 430 | 4 | 18 | 900 | 410 | 290 | 95 | | | 205 | 105 | 489 | 350 | |
| 32-200 | | | 20* | 135 | 325 | 600 | 550 | 480 | 430 | 4 | 18 | 900 | 410 | 290 | 95 | | | 205 | 105 | 489 | 350 | |
| 32-250 | | | 24* | 175 | 370 | 700 | 640 | 550 | 490 | 4 | 22 | 1025 | 480 | 335 | 100 | | | 250 | 115 | 590 | 420 | |
| 40-125 | 2 1/2-65 | 2*-50 | 18* | 115 | 300 | 550 | 500 | 450 | 400 | 4 | 18 | 865 | 380 | 265 | 95 | 150 | 240 | 180 | 105 | 438 | 330 | |
| 50A-160 | | | 20* | 130 | 340 | 600 | 550 | 480 | 430 | 4 | 18 | 900 | 410 | 305 | 100 | | | 195 | 100 | 489 | 350 | |
| 40-200 | | | 20* | 140 | 340 | 600 | 550 | 480 | 430 | 4 | 18 | 900 | 410 | 305 | 100 | | | 200 | 95 | 489 | 350 | |
| 40-250 | | | 24* | 175 | 385 | 700 | 640 | 550 | 490 | 4 | 22 | 1025 | 480 | 350 | 105 | | | 240 | 110 | 590 | 420 | |
| 50-125 | 3*-80 | 3*-80 | 20* | 125 | 355 | 600 | 550 | 480 | 430 | 4 | 18 | 865 | 380 | 305 | 115 | 180 | 300 | 185 | 110 | 489 | 350 | |
| 65A-160 | | | 24* | 140 | 420 | 700 | 640 | 550 | 490 | 4 | 22 | 905 | 415 | 370 | 140 | | | 210 | 120 | 590 | 420 | |
| 50-200 | | | 24* | 150 | 395 | 700 | 640 | 550 | 490 | 4 | 22 | 905 | 415 | 345 | 120 | 180 | 300 | 225 | 130 | 590 | 420 | |
| 50-250 | | | 26* | 175 | 420 | 850 | 395 | 630 | 570 | 6 | 22 | 1055 | 560 | 370 | 120 | | | 300 | 180 | 640 | 480 | |
| 50-315 | | | 28* | 215 | 475 | 900 | 420 | 660 | 600 | 6 | 22 | 1060 | 565 | 425 | 130 | | | 320 | 155 | 692 | 500 | |
| 65-125 | | | 24* | 140 | 400 | 700 | 640 | 550 | 490 | 4 | 22 | 905 | 415 | 350 | 130 | | | 220 | 130 | 590 | 420 | |
| 80A-160 | 4*-100 | 3*-80 | 24* | 155 | 440 | 850 | 395 | 630 | 570 | 6 | 22 | 1025 | 530 | 390 | 145 | 200 | 370 | 280 | 180 | 590 | 480 | |
| 65-200 | | | 26* | 160 | 445 | 850 | 395 | 630 | 570 | 6 | 22 | 1025 | 530 | 395 | 145 | | | 280 | 175 | 640 | 480 | |
| 65-250 | | | 28* | 180 | 470 | 900 | 420 | 660 | 600 | 6 | 22 | 1060 | 535 | 420 | 145 | | | 305 | 175 | 692 | 500 | |
| 65-315 | | | 30* | 225 | 500 | 1050 | 485 | 800 | 720 | 6 | 25 | 1160 | 615 | 450 | 135 | | | 390 | 210 | 740 | 580 | |
| 80-160 | | | 28* | 170 | 480 | 850 | 395 | 630 | 570 | 6 | 22 | 1025 | 530 | 415 | 155 | 250 | 470 | 270 | 165 | 692 | 480 | |
| 80-200 | | | 28* | 180 | 505 | 900 | 420 | 660 | 600 | 6 | 22 | 1060 | 535 | 440 | 165 | | | 290 | 170 | 692 | 500 | |
| 80-250 | 5*-125 | 4*-100 | 30* | 195 | 535 | 1050 | 485 | 800 | 720 | 6 | 25 | 1060 | 535 | 470 | 170 | 250 | 470 | 355 | 225 | 740 | 580 | |
| 80-315 | | | 34* | 235 | 570 | 1050 | 485 | 800 | 720 | 6 | 25 | 1165 | 620 | 505 | 170 | | | 360 | 185 | 840 | 580 | |
| 80-400 | | | 36* | 260 | 610 | 1300 | 600 | 900 | 800 | 6 | 30 | 1165 | 620 | 545 | 175 | | | 475 | 280 | 895 | 640 | |
| 100-200 | | | 34* | 210 | 590 | 1050 | 485 | 800 | 720 | 6 | 25 | 1065 | 540 | 513 | 190 | 280 | 530 | 335 | 202 | 840 | 580 | |
| 100-250 | | | 34* | 215 | 590 | 1050 | 485 | 800 | 720 | 6 | 25 | 1165 | 620 | 513 | 190 | | | 340 | 197 | 840 | 580 | |
| 100-315 | | | 36* | 240 | 625 | 1300 | 600 | 900 | 800 | 6 | 30 | 1165 | 620 | 548 | 190 | | | 460 | 292 | 895 | 640 | |
| 100-400 | 40* | 285 | 665 | 1300 | 600 | 900 | 800 | 6 | 30 | 1200 | 650 | 588 | 190 | | | 460 | 252 | 990 | 660 | | | |
| 125-250 | 6*-150 | 6*-150 | 40* | 250 | 730 | 1300 | 600 | 900 | 800 | 6 | 30 | 1140 | 600 | 640 | 240 | 320 | 550 | 410 | 250 | 990 | 660 | |
| 125-315 | | | 40* | 270 | 730 | 1300 | 600 | 900 | 800 | 6 | 30 | 1170 | 625 | 640 | 230 | | | 420 | 240 | 1000 | 660 | |
| 125-400 | | | 44* | 300 | 775 | 1300 | 600 | 900 | 800 | 6 | 30 | 1200 | 660 | 685 | 240 | | | 415 | 200 | 1095 | 660 | |
| 150-250 | | | 44* | 290 | 790 | 1300 | 600 | 900 | 800 | 6 | 30 | 1170 | 625 | 697 | 247 | | | 400 | 203 | 1100 | 660 | |
| 150-315 | 8*-200 | 6*-150 | 44* | 290 | 815 | 1300 | 600 | 900 | 800 | 6 | 30 | 1250 | 680 | 722 | 260 | 350 | 650 | 390 | 188 | 1100 | 660 | |
| 150-400 | | | 48* | 330 | 865 | 1650 | 775 | 1100 | 1000 | 6 | 30 | 1300 | 715 | 772 | 267 | | | 555 | 323 | 1200 | 800 | |
| 150-500 | | | 52* | 365 | 915 | 1650 | 775 | 1100 | 1000 | 6 | 30 | 1350 | 770 | 822 | 272 | | | 550 | 278 | 1300 | 800 | |
| 200-315 | | | 54* | 345 | 975 | 1650 | 775 | 1100 | 1000 | 6 | 30 | 1320 | 750 | 860 | 315 | 400 | 820 | 510 | 280 | 1350 | 800 | |
| 200-400 | 56* | 360 | 1025 | 1650 | 775 | 1100 | 1000 | 6 | 30 | 1400 | 820 | 910 | 335 | | | 490 | 250 | 1400 | 820 | | | |

Sectional Drawing & Part List
Sezione & Nomenclatura





| Pos. | Nomenclatura | Part list |
|------|-------------------------|------------------------------|
| 1 | Corpo pompa | Casing |
| 2 | Scudo | Cover |
| 3 | Girante | Impeller |
| 6.2 | Lanterna tenuta | Stuffing box lantern |
| 9 | Guarniz. spirometallica | Spiral-wound |
| 9.7 | Guarniz. spirometallica | Spiral-wound |
| 9.8 | Guarniz. spirometallica | Spiral-wound |
| 16 | Motore elettrico | Electric motor |
| 22 | Coperchio supporto | Bearing cover |
| 24 | Albero pompa | Pump shaft |
| 24.1 | Albero supporto | Support shaft |
| 25 | Anello V-ring | V-ring |
| 27 | Cuscinetto | Single row thrust ball bear. |
| 28 | Vite bloccaggio girante | Impeller locking screw |
| 29 | Chiavetta | Key |
| 29.1 | Chiavetta | Key |
| 30 | Chiavetta | Key |
| 30.1 | Chiavetta | Key |
| 31.5 | Vite girante | Exag. Cap screw |
| 32 | Rondella girante | Impeller washer |
| 37 | Bussola di fondo | Throat bushing |
| 39 | Anello di usura | Casing wearing ring |
| 39.1 | Anello di usura | Impeller wearing ring |
| 39.2 | Anello di usura | Cover wearing ring |
| 39.3 | Anello di usura | Impeller wearing ring |
| 43.1 | Anello di tenuta | Seal ring |

| Pos. | Nomenclatura | Part list |
|-------|---------------------------|----------------------------|
| 52 | Lanterna motore | Motor lantern |
| 52.1 | Lanterna distanziale | Spacer lantern |
| 52.2 | Protezione giunto | Coupling guard |
| 53 | Tubo distanziale | Column pipe |
| 53.1 | Tubo distanziale | Column pipe |
| 54 | Tubo premente | Discharge pipe |
| 55 | Piastra appoggio | Mounting plate |
| 57 | Supporto intermedio | Intermediate support |
| 58 | Sede cuscinetto | End support |
| 59 | Cuscinetto piano | Bushing bearing |
| 59.1 | Cuscinetto piano | Bushing bearing |
| 60 | Giunto metastream | Metastream coupling |
| 60.1 | Giunto spaziatore | Spacer coupling |
| 62 | Ghiera giunto spaz. | Coupling locknut |
| 65 | Ghiera cuscinetto | Bearing locknut |
| 71 | Camicia albero | Shaft sleeve |
| 71.1 | Camicia albero | Shaft sleeve |
| 86 | Ingrassatore | Grease cup |
| 97 | Ghiera di regolazione | Adjust locknut |
| 98 | Bussola cuscinetto | Adjust bushing |
| 101 | Filtro | Strainer |
| 111 | Dispositivo di flussaggio | Flushing device |
| 111.1 | Disp. fluss. ten. mecc. | Mech. seal flushing device |
| 112 | Rondella di sicurezza | Safety washer |
| 118 | Spina | Pin |
| 167 | Piastrina di sicurezza | Safety plate |



Дистрибутор:

България, София 1528, ул."Поручик Неделчо Бончев" 3, ет.5
+359 2 973 27 67, +359 2 973 2370; office_bg@opwmarket.com

FINDER

a **DOVER** company